

Scope Wonder

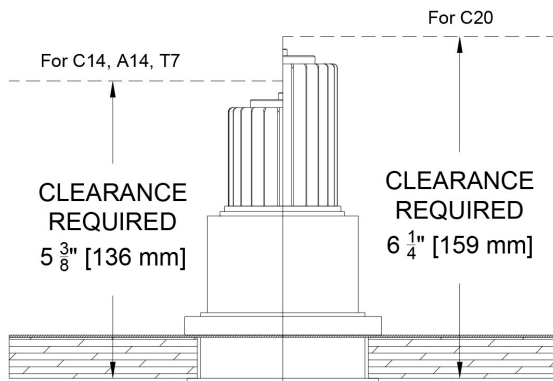
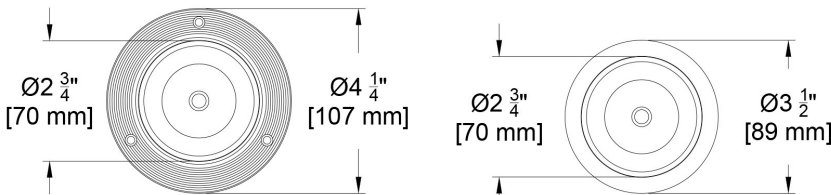
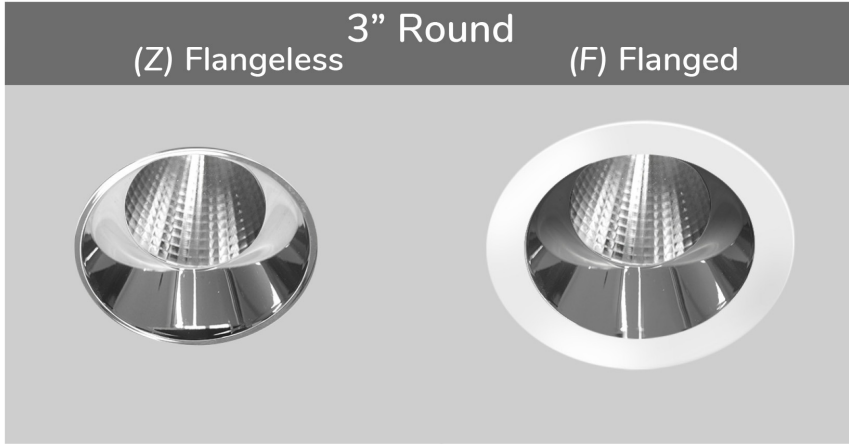
Ever wonder where light is coming from? Scope Wonder Downlight epitomizes this phenomena featuring super low UGR (glare) values. This fixture is designed not to be seen! The 3" offering provides an incredibly wide selection of finishes, mounting options and sources and technology including the release of our INK tunable white source in 2 dynamic ranges.

PROJECT:

TYPE:

SPECIFIER:

DATE:



Round Standard Size (F)
(See page 4 for Details)

Key Points (SCW3D-R)

Trim

- Machined aluminum Body in USA
- 4 trim bezel color options
- 40 flange color options + custom RAL
- Flanged or flangeless

Source / Optics

- Tunable White with 2 available ranges (1800 to 4000K and 2700 to 6500K)
- UGR values ≤ 13 (considered excellent)
- Field changeable optics
- 3 beam spreads - 20°, 24° and 38°
- Up to 1664 delivered lumens
- <2 MacAdams Ellipses (<2 SDCM)
- 90+ CRI, 60+ R9 Standard; 95+ CRI, 90+ R9 available with Ambient Dim option
- 2400K, 2700K, 3000K, 3500K, 4000K Ambient Dim, RGBW & Tunable White options
- **TITLE 24** Source meets California Title 24 Requirements to JA8
- Lifetime: L87B3>55,000 hours at 40°C Ambient (for fixed white)

Housing

- Remodel or millwork option available
- **TITLE 24** IC Rated / airtight housing approved for use in direct contact with insulation, Chicago Plenum Available and meets CA Title 24
- 2 pan options IC rated for use in direct contact with insulation (not for spray foam)

Driver And Control

- Drivers are integral with fixtures unless noted as remote mount with * in ordering code options. "K can" type drivers do not fit through the 3" hole and require remote mounting
- TruPhase™, 0-10, DALI-2, DMX, Ecosystem or Wireless Control
- Flicker free to IEEE 1789-2015 available with EldoLED and TruPhase™ selections
- Universal 120-277v

ROUND Beamspreads	20°						24°						36°					
	System watts (W)	Delivered Lumens (lm)	Lumens/Watt	UGR	Peak (fc)	10% Field	Delivered Lumens (lm)	Lumens/Watt	UGR	Peak (fc)	10% Field	Delivered Lumens (lm)	Lumens/Watt	UGR	Peak (fc)	10% Field		
Citizen C14	14	1198	86	11	7237	42°	1144	82	10	6031	44°	1174	84	11	3692	50°		
Citizen C20	21	1664	79	10	10186	42°	1581	75	12	8456	43°	1592	76	12	4756	50°		
Ambient Dim A14	15	836	56	12	6297	39°	789	53	12	4827	41°	797	53	12	2752	49°		
Tunable White - 1840	10	554	58	10	3247	42°	528	56	11	2638	44°	526	55	10	1563	50°		
Tunable White - 2765	10	746	79	10	4307	43°	697	73	12	3498	44°	708	75	13	1992	53°		

Ordering Codes

PROJECT: _____ SPECIFIER: _____

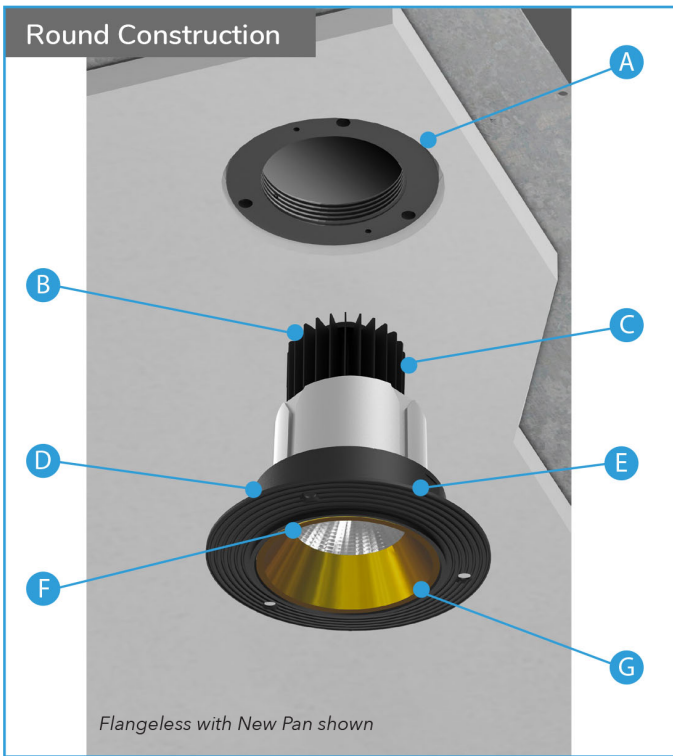
DATE: _____ TYPE: _____ QUANTITY: _____

Ordering Code Example: SCW3D-R-Z-BP-A14-AD-36-E2-V01-A01

FIXTURE	TRIM	MOUNTING	SOURCE / WATTS	CCT	BEAM	DRIVER / CONTROL	BEZEL FINISH	TRIM FINISH	ACCESSORIES
<p>SCW3D-R</p> <p>Scope Wonder 3" Downlight - Round</p>	<p>F Flanged Trim</p> <p>Z Flangeless Trim</p>	<p>NP New Pan (IC rated) for mounting to bottom of studs[^]</p> <p>BP Bracket Pan (IC Rated) for mounting with hanger bars to studs or T-bar[^]</p> <p>AT Airtight Housing*</p> <p>PM Panel Mount §</p> <p>RM Remodel mounts direct to ceiling - Wing Springs for flanged and drywall anchors for flangeless</p> <p> CA Title 24 Compliant</p> <p>* Chicago Plenum available with AT</p> <p>[^] Not Airtight. Not for use with spary foam</p> <p>§ Must be used with flangeless trims.</p>	<p>Citizen</p> <p>C14 15W 1233Lm* 90+CRI, 60+R9</p> <p>C20 21W 1669Lm* 90+CRI, 60+R9</p> <p>Tunable</p> <p>T7 10W[^] 90+CRI, 60+R9 Tunable White</p> <p>T20 21W 90+CRI, Tunable White</p> <p>Ambient Dim™</p> <p>A14 15W 95+CRI,</p> <p>A20 21W 858Lm 95+CRI, 90+R9</p> <p> CA Title 24 Compliant</p> <p>* Based on 20° Beam</p> <p>**Based on 20° beam with 2765 CCT choice @ 4500k</p> <p>[^] LTT or EidoLED Driver selection required and will be supplied with 2 channel version</p>	<p>24 2400K</p> <p>27 2700K</p> <p>30 3000K</p> <p>35 3500K</p> <p>40 4000K</p> <p>Tunable</p> <p>TW1840 1800-4000K Tunable White w/ E1, E2, E3, E4</p> <p>TW2765 2700-6500K Tunable White w/ E1, E2, E3, E4</p> <p>Ambient Dim™</p> <p>2722* 2700-2200K *A14 Only</p> <p>3019 3000-1900K</p> <p>3022 * 3000-2200K *A14 Only</p>	<p>20 Spot</p> <p>24 Narrow Flood</p> <p>36 Flood</p>	<p>C1 0-10 1.0%, UNV (120-277V) linear</p> <p>C2 ELV/Triac 1.0%, (120V) linear</p> <p>E1 0-10* 0.1%, UNV (120-277V) log</p> <p>E2 DALI-2* 0.1%, UNV (120-277V) log</p> <p>E3 0-10* 0.1%, UNV (120-277V) linear</p> <p>E4[^] DMX 0.1%, UNV (120-277V) Universal DMX Driver/Controller RGBW-DMX [^] INCLUDES DMX/RDM COMPATIBLE DRIVER WITH BUILT-IN DECODER - CONTROLLER BY OTHERS</p> <p>L3 3 Wire or Ecosystem* 1.0%, (120-277V) Hi-Lume 3 Wire L3DA</p> <p>TR2 TruPhase™ 0.1%, (120-120V) log Up to 20W Forward and Reverse compatible Phase Dimming Static White & Ambient Dim only</p> <p>LD Digital Ecosystem* 1.0%, UNV (120-277V) ECO Hi-Lume SoftOn/Fade-to-Black LDE1</p> <p>* Requires remote mounting</p>	<p>V01 Clear Metalize</p> <p>V02 Black Metalize</p> <p>V03 Champagne Metalize</p> <p>V04 Gold Metalize</p> <p>*See Finish Guide</p>	<p>A32 Clear Anodize</p> <p>A01 Black Anodize</p> <p>W White Paint</p> <p>C Custom/RAL Color*</p> <p>AXX Specialty anodize color*</p> <p>A1-A36</p> <p>PXX Specialty Paint Color*</p> <p>P01-P15</p> <p>K Blank for use with Flangeless or Panel Mount</p> <p>*See Finish Guide</p> <p></p>	<p>CP Chicago Plenum</p> <p>EM Emergency Pack</p> <p>Controls</p> <p>LR Lutron Wireless RF PowPak</p> <p>ATH Lutron Athena Wireless Node <i>Must be used with E2 driver (DALI-2)</i></p> <p>CA Casambi Wireless BLE to be paired with driver</p>

Fixture Details

Threaded collar comes integral with Pan. Receiver with integral trim flange threads into collar. Body assembly attaches to receiver with integral "J" hooks.

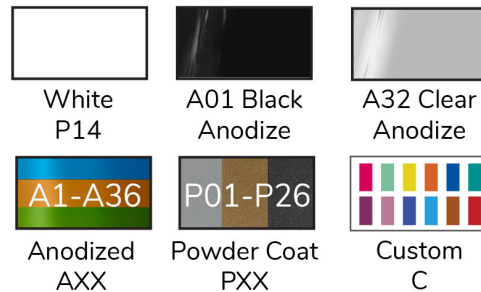


Flanged Trim Option

Flanged Remodel uses wing springs (not shown) pg 5 for details.



Flanged Finish Options

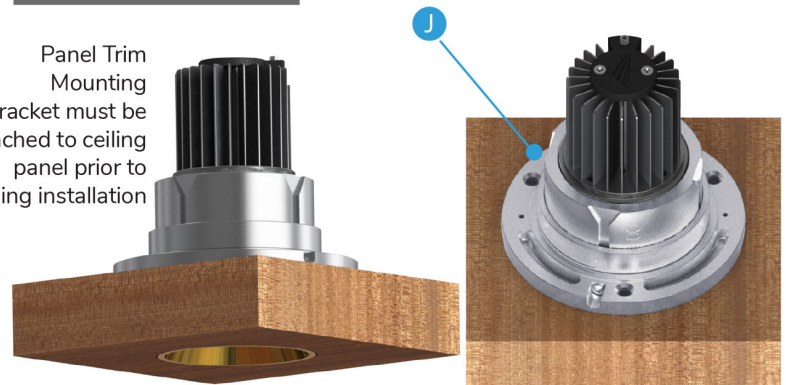


Trim Bezel Finish Options



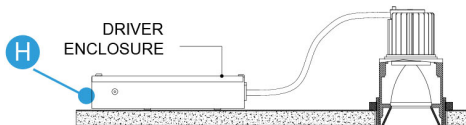
Panel Trim Option

Panel Trim Mounting bracket must be attached to ceiling panel prior to ceiling installation



Standard Assembly Specs

- A** Machined mounting collar (located above pan) integral with Pan or Housing to accommodate up to 1 1/4" ceiling thickness. Remodel Flanged Trim uses Wing Springs (not shown)
- B** 22AWG wire to Driver. Enclosed in flexible conduit connected to driver enclosure.
- C** Thermal management system and body. High grade anodized aluminum, precision machined in the U.S.A.
- D** Receiver – High Grade Aluminum precision machined in U.S.A. with integral flange
- E** LED Assembly- Field serviceable as part of thermal management system (not shown)
- F** Reflector optic- Field changeable
- G** Bezel, Molded Polycarbonate finished with 4 color options
- H** Driver and enclosure – UL approved for IC- Requires remote mounting
- I** Finish trim flange for flanged option
- J** Unique receiver for panel trim millwork wood ceiling

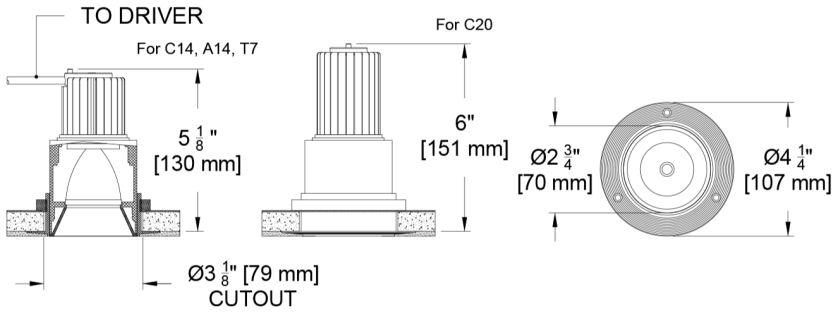


Ceiling Cutouts and Dimensions

Round New or Bracket Pan

Flangeless Trim (Z)

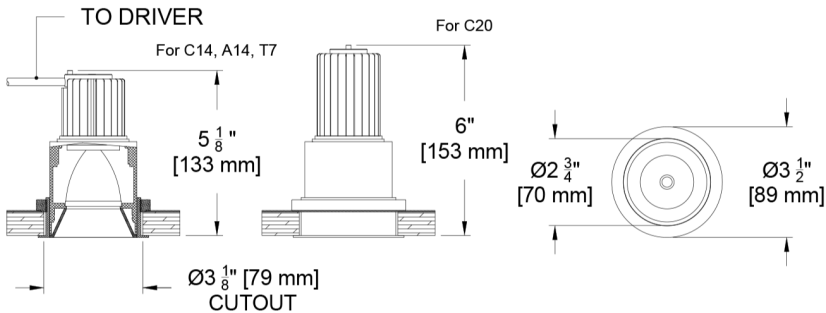
(SCW3D-R-Z-BP / NP-)



Round New or Bracket Pan

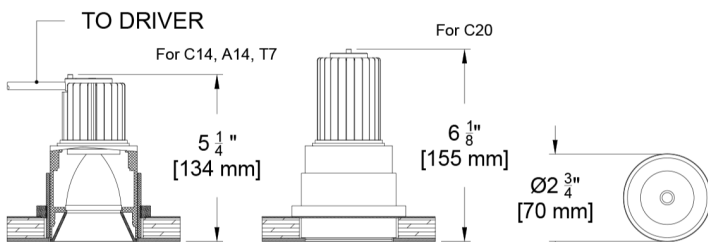
Flanged Trim (F)

(SCW3D-R-F-BP / NP-)



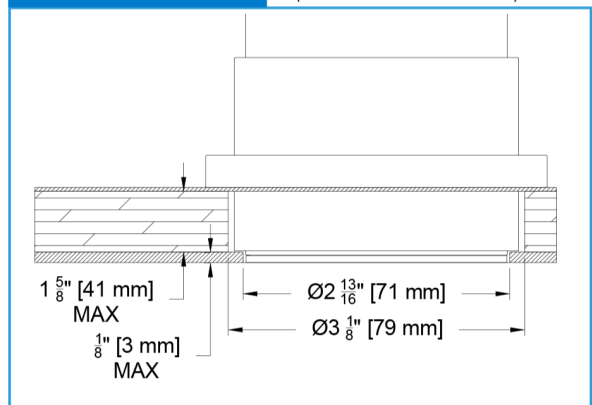
Round Panel Mount

(SCW3D-R-Z-PM-)



Panel Mount Detail

(SCW3D-R-Z-PM-)

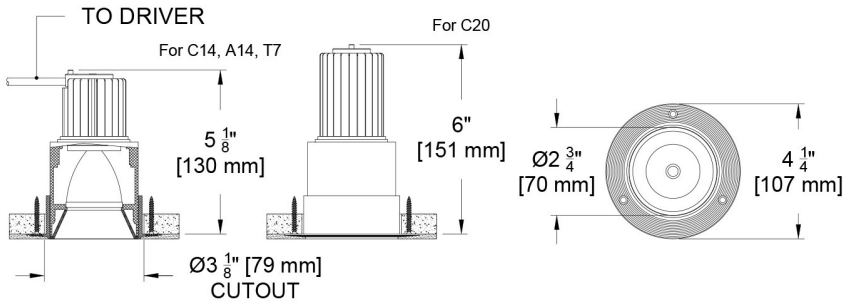


Ceiling Cutouts and Dimensions

Round Remodel

Flangeless Trim (Z)

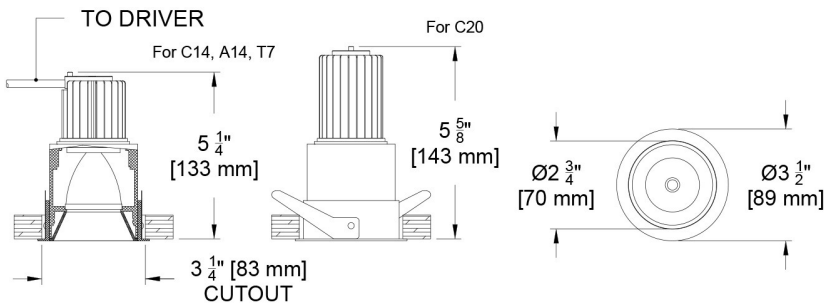
(SCW3D-R-Z-RM-)



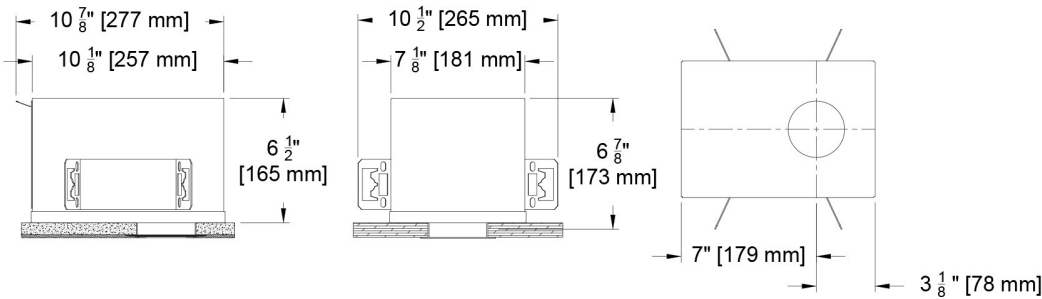
Round Remodel

Flanged Trim (F)

(SCW3D-R-F-RM-)

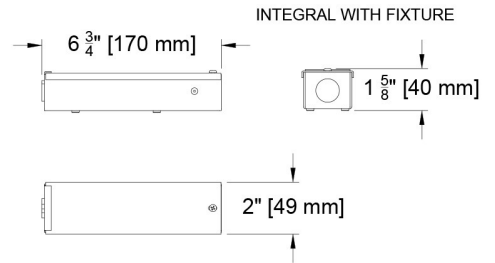


Round Airtight (AT)



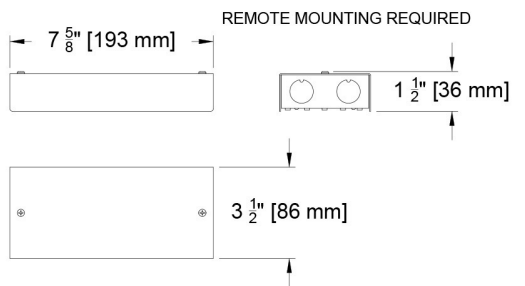
Driver Enclosure

for C1, C2, TR2



Driver Enclosure

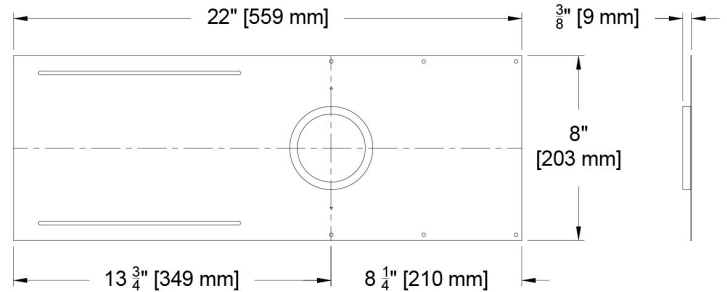
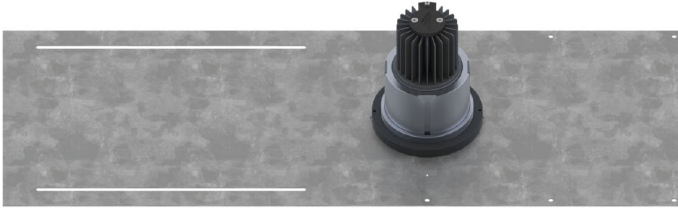
for E1, E2, E3, E4, LD



Mounting Options

New Pan (SCW3D-R_-NP)

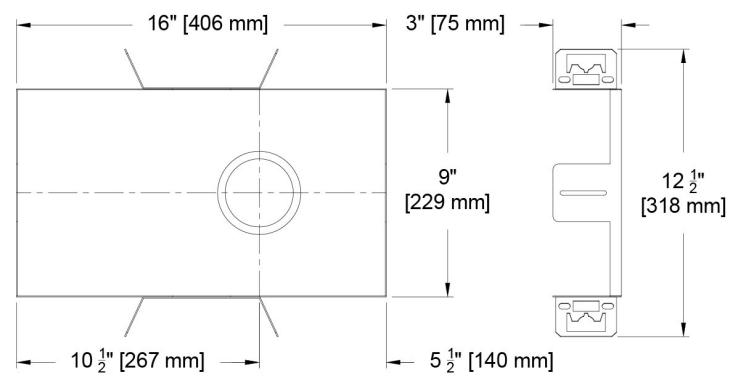
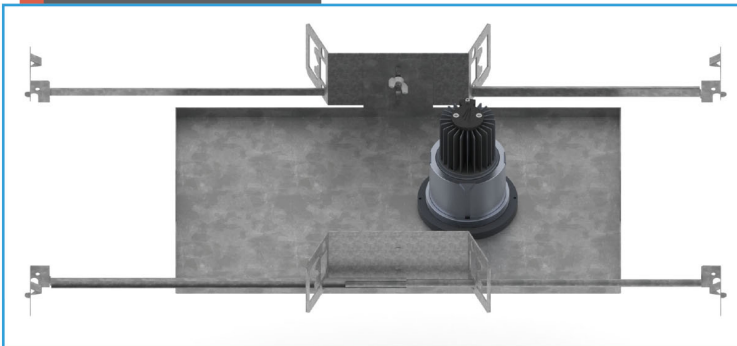
For new construction and attachment to bottom of studs



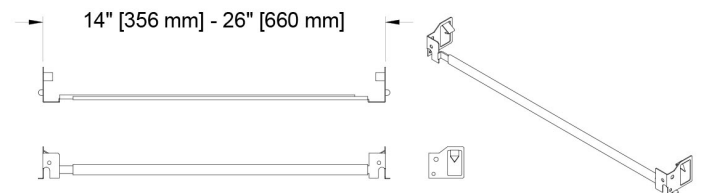
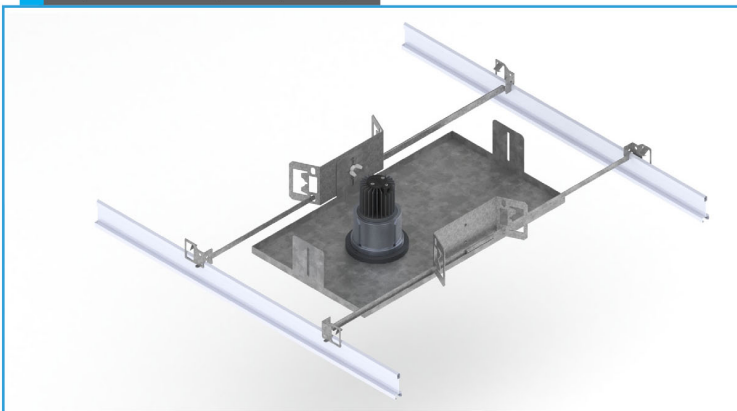
Bracket Pan (SCW3D-R_-BP)

For new construction using hanger bars for attaching to studs or drop ceiling

Option 1- Attaching to Studs



Option 2- Attaching to Drop Ceiling



For Panel Mounting to Millwork See Page 3 and installation instructions. For Remodel and Housing mounting see page 4

Photometric Table

All data below are delivered lumens based on goniometer measurements of production representative product. All lumen values can vary +/- 10% from LED manufacturer rated flux range.

ROUND Beamspreads		20°					24°					36°				
Source	System watts (W)	Delivered Lumens (lm)	Lumens/Watt	UGR	Peak (fc)	10% Field	Delivered Lumens (lm)	Lumens/Watt	UGR	Peak (fc)	10% Field	Delivered Lumens (lm)	Lumens/Watt	UGR	Peak (fc)	10% Field
Citizen C14	14	1198	86	11	7237	42°	1144	82	10	6031	44°	1174	84	11	3692	50°
Citizen C20	21	1664	79	10	10186	42°	1581	75	12	8456	43°	1592	76	12	4756	50°
Ambient Dim A14	15	836	56	12	6297	39°	789	53	12	4827	41°	797	53	12	2752	49°
Tunable White - 1840	10	554	58	10	3247	42°	528	56	11	2638	44°	526	55	10	1563	50°
Tunable White - 2765	10	746	79	10	4307	43°	697	73	12	3498	44°	708	75	13	1992	53°

CCT Multiplier		<p style="text-align: center;">Beam angle</p> <p style="text-align: center;">20.3°</p>	<p style="text-align: center;">Beam angle</p> <p style="text-align: center;">23.3°</p>	<p style="text-align: center;">Beam angle</p> <p style="text-align: center;">36°</p>
CCT	Citizen			
2700	0.95			
3000	1.00			
3500	1.02			
4000	1.03			

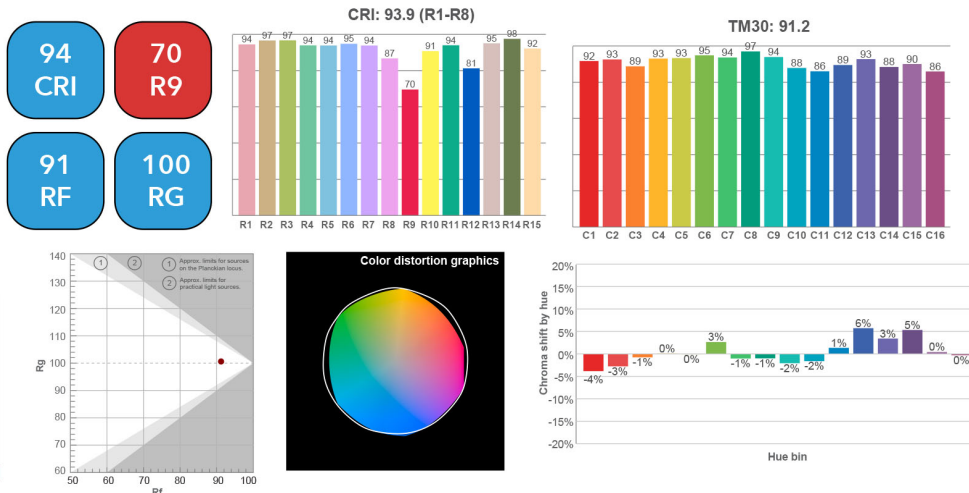
All measurements are delivered lumens based on 3000K unless otherwise noted below. Ambient Dim measured at full output. Tunable White measurements at mid-point CCT of range (2700K for 1840 and 4500K for 2765 source). UGR values based on 4H 3H row.

Color Data

Color and flux information based on goniometer measurements of production representative product. All values can vary +/- 10% from LED manufacturer rated data range as listed on their datasheet. See specific PDF photometric reports found in the photometric dropdown on the product landing page for more specific color information.

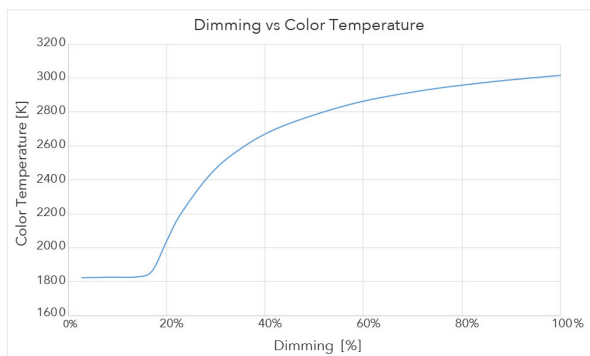
Citizen Source C14, C20

- <2 MacAdam Ellipse (<2 SDCM)
- 90+ CRI and RF
- 60+R9, Hue Bin 1

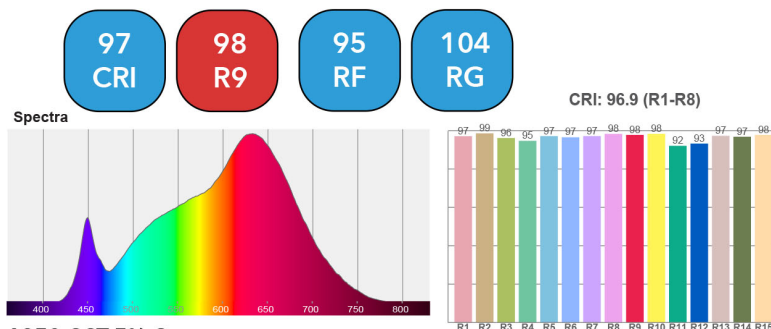


Ambient Dim Source A14 (AD - 3000k to 1900k)

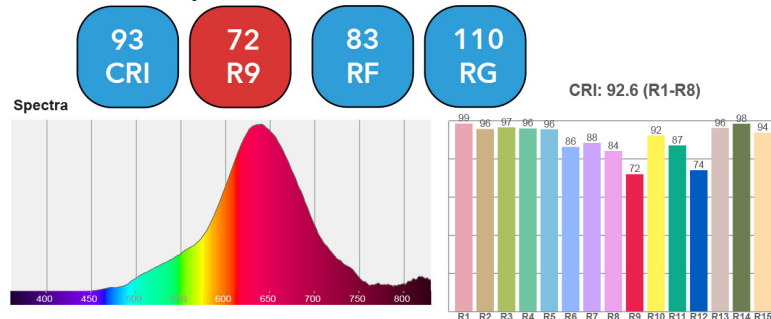
- <3 MacAdam Ellipse (<3 SDCM)
- 95+ CRI and RF
- 90+R9, Hue Bin 1
- Follows Black Body Locus through dimming range



3000 CCT Full Output



1850 CCT 5% Output

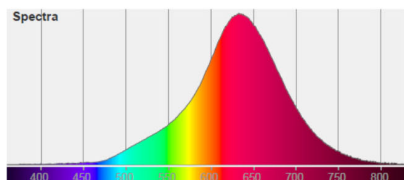


Tunable White source T7 - CCT 1840 (1800k to 4000k)

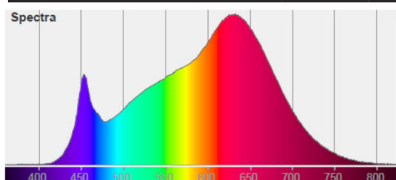
- <3 MacAdam Ellipse (<3 SDCM)
- 94 CRI average across all CCTs
- 76 R9 average across all CCTs
- Available with wired or wireless control

INK		TUNABLE WHITE - 1800-4000K						
Color Temp		1800	2200	2500	2700	3000	3500	4000
System Watts		10	10	10	10	10	10	10
Delivered Lumens		428	488	528	554	608	644	644
Luminaire Efficiency		45	51	56	58	64	68	68
Flux and Color data based on 20° measurement at 2700k. All other values are extrapolated from actual and analytical tests								

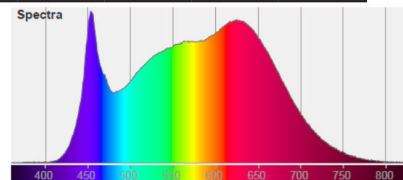
Spectral Power Distributions at all listed CCTs available upon request



1800K



3000K



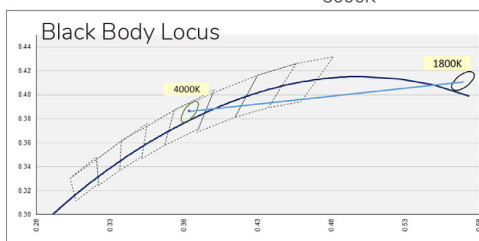
4000K

94
CRI

76
R9

89
RF

97
RG

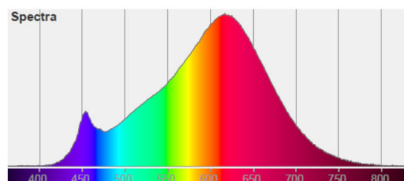


Tunable White source T7 - CCT 2765 (2700k to 6500k)

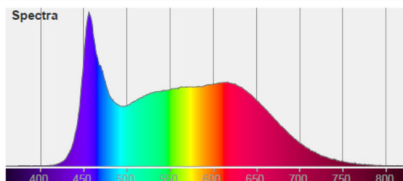
- <3 MacAdam Ellipse (<3 SDCM)
- 94 CRI average across all CCTs
- 96 R9 average across all CCTs
- Available with wired or wireless control

INK		TUNABLE WHITE - 2700-6500K								
Color Temp		2700	3000	3500	4000	4500	5000	5500	6000	6500
System Watts		10	10	10	10	10	10	10	10	10
Delivered Lumens		657	723	746	747	746	745	744	742	750
Luminaire Efficiency		69	76	79	79	79	78	78	78	79
Flux and Color data based on 20° measurement at 4500k. All other values are extrapolated from actual and analytical tests										

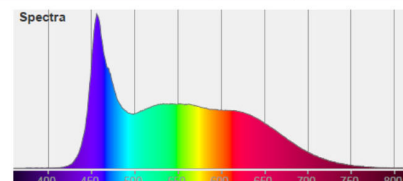
Spectral Power Distributions at all listed CCTs available upon request



2700K



5000K



6500K

96
CRI

96
R9

91
RF

99
RG

